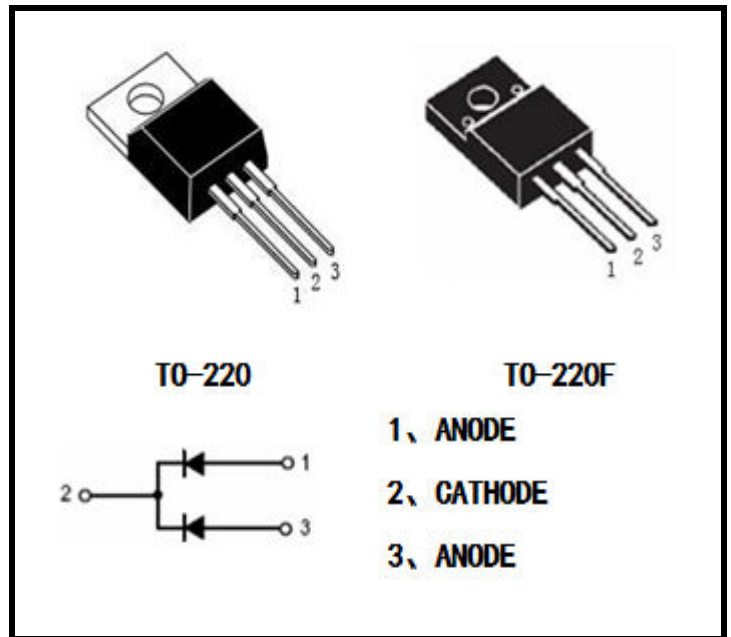


**Ultra Low VF=0.49V at IF=5A**
**FEATURES**

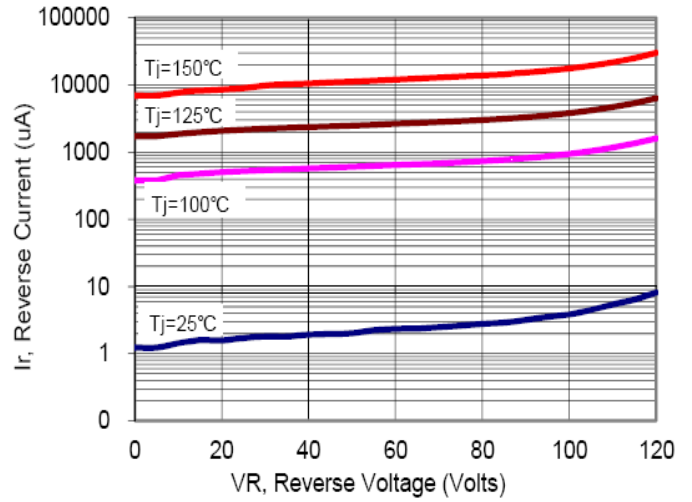
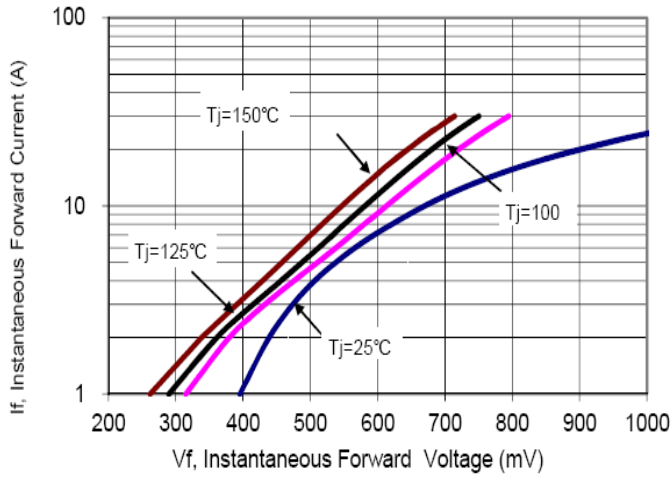
- \* Schottky Barrier Chip
- \* Guard Ring Die Construction for Transient Protection
- \* Low Power Loss, High Efficiency
- \* High Surge Capability
- \* High Current Capability and Low Forward Voltage Drop
- \* For Use in Low Voltage, High Frequency Inverters, Free Wheeling, and Polarity Protection Applications

**PACKAGE**

**ELECTRICAL CHARACTERISTICS (Tamb=25°C)**

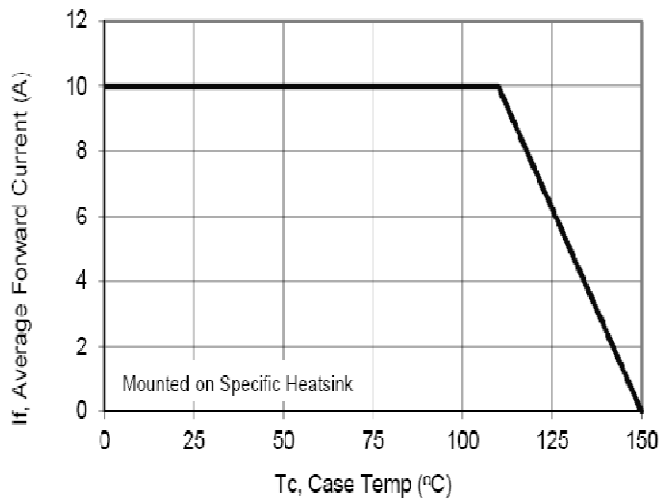
Characteristic	Symbol	Value	Unit	
Peak Repetitive Reverse Voltage	$V_{RRM}$	120	V	
Working Peak Reverse Voltage	$V_{RWM}$			
DC Blocking Voltage	$V_R$			
Average Rectified Output Current	$I_{F(per\ leg)}$	10	A	
	$I_{F(Total)}$	20		
Non-Repetitive Peak Surge Current (Surge applied at rated load conditions halfwave, single phase, 60Hz)	$I_{FSM}$	275	A	
Instantaneous Forward Voltage @IF=5A, TC=25°C @IF=10A, TC=25°C @IF=5A, TC=125°C @IF=10A, TC=125°C	$V_F$	TYP.	V	
		0.54		
		0.68		
		0.49		
Peak Reverse Current @Tc=25 °C at Rated DC Blocking Voltage @Tc=125°C	$I_R$	0.1	mA	
		6		
Operating and Storage Temperature Range	$T_J, T_{STG}$	-65 to +150	°C	
Maximum Thermal Resistance	$\theta_{JC}$	TO-220	2	°C/W
		TO-220F	4	
	$\theta_{JA}$	TO-220	60	
		TO-220F	60	



### Characteristics Curves



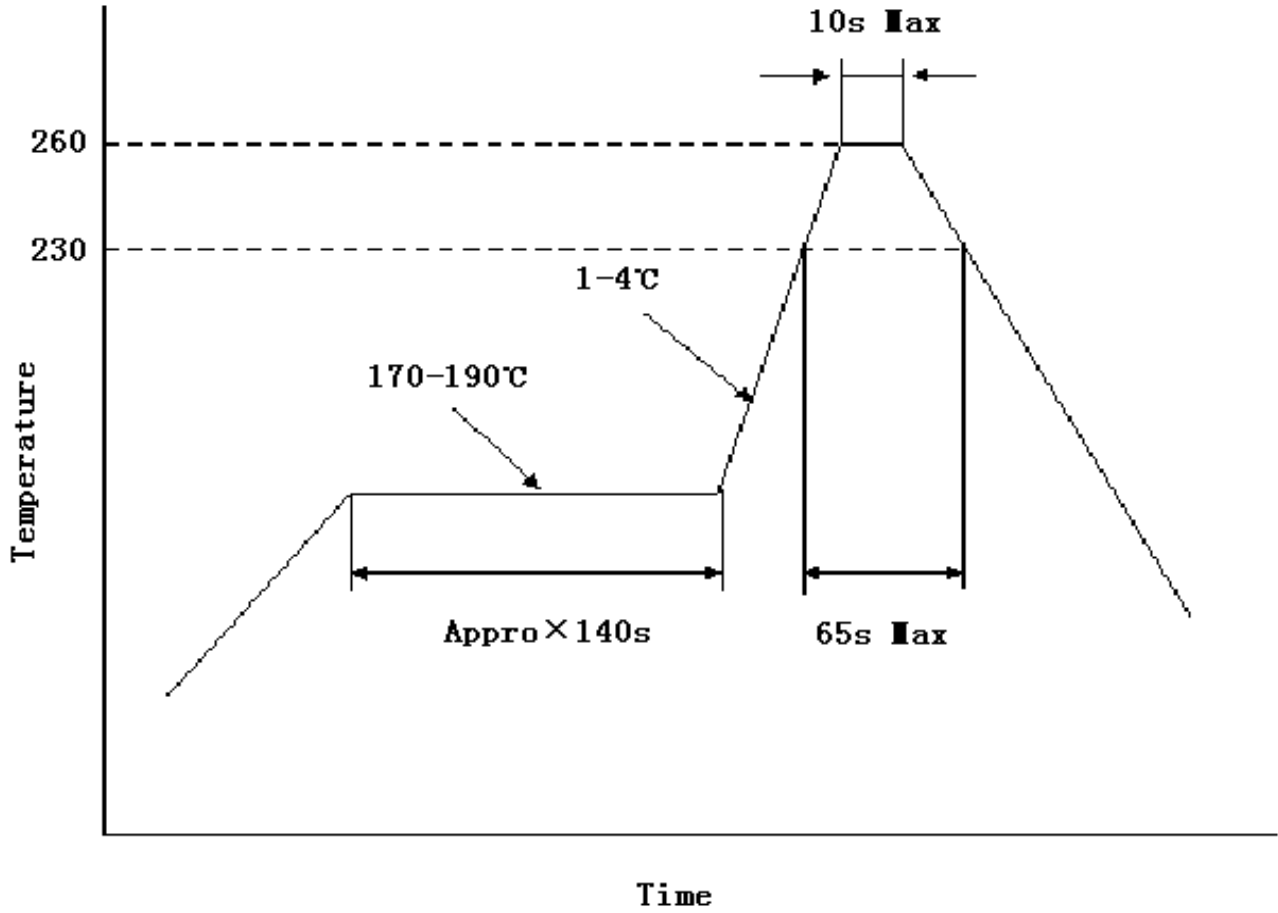
### Typical Forward Voltage Per Diode



### Typical Reverse Current Per Diode

Average Forward Current vs. Case Temperature Per Diode

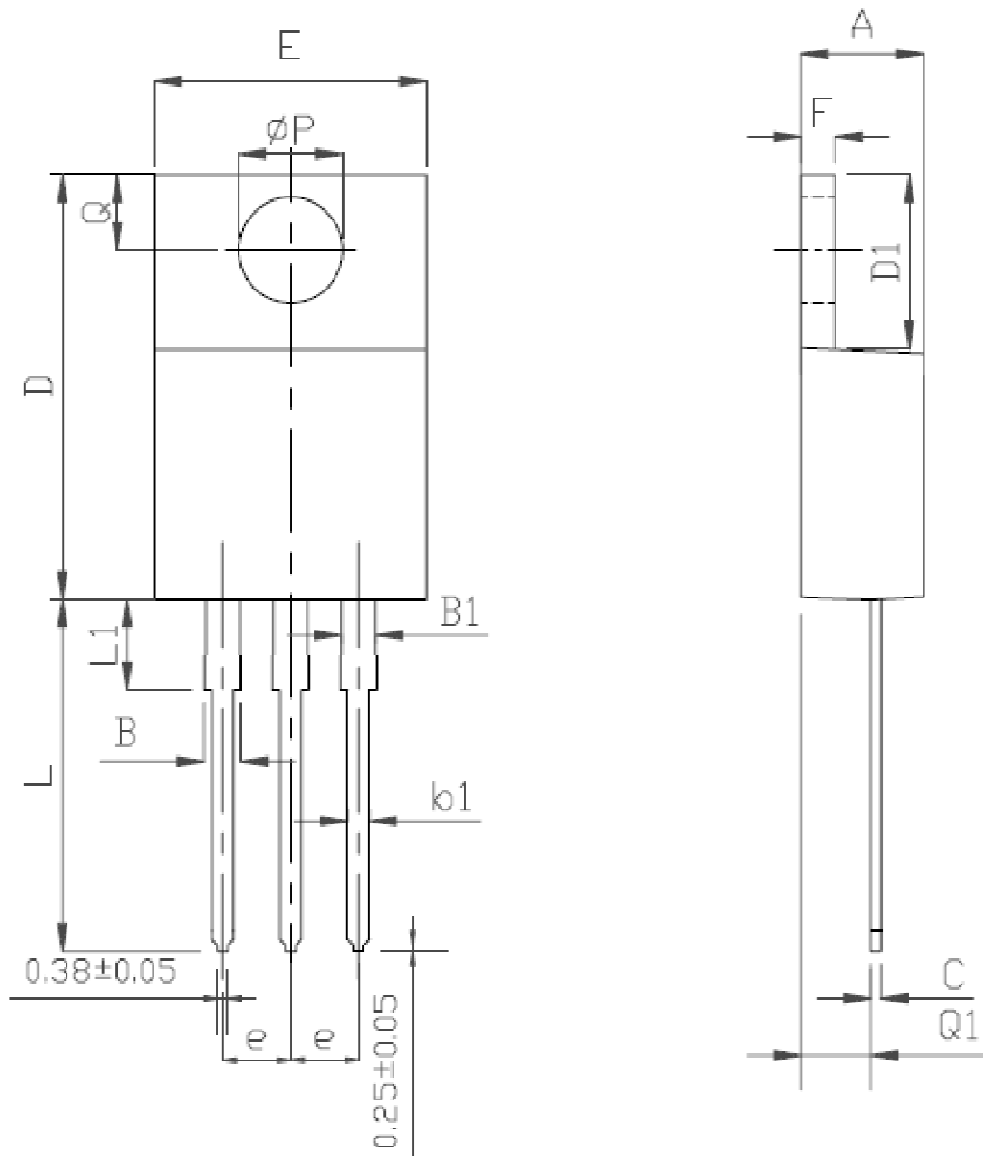
■ Reflow Soldering Temperature Profile



**T0-220 MECHANICAL DATA**

UNIT: mm

SYMBOL	MIN	NOM	MAX	SYMBOL	MIN	NOM	MAX
A	4		4.8	e	2.44	2.54	2.64
B	1.2		1.4	F	1.1		1.4
B1	1		1.4	L	12.5		14.5
b1	0.75		0.95	L1	3	3.5	4
c	0.4		0.55	ΦP	3.7	3.8	3.9
D	15		16.5	Q	2.5		3
D1	5.9		6.9	Q1	2		2.9
E	9.9		10.7				



**TO-220F MECHANICAL DATA**

UNIT: mm

SYMBOL	MIN	NOM	MAX	SYMBOL	MIN	NOM	MAX
A	4.5		4.9	E1	6.5	7	7.5
A1	2.3		2.9	e	2.44	2.54	2.64
b	0.65		0.9	L	12.5		14.3
b1	1.1		1.7	L1	9.45		10.05
b2	1.2		1.4	L2	15		16
c	0.35		0.65	L3	3.2		4.4
D	14.5		16.5	ΦP	3		3.3
D1	6.1		6.9	Q	2.5		2.9
E	9.6		10.3				

